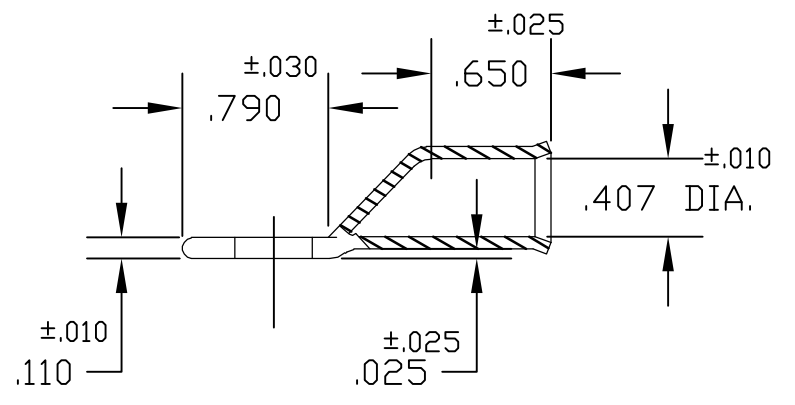
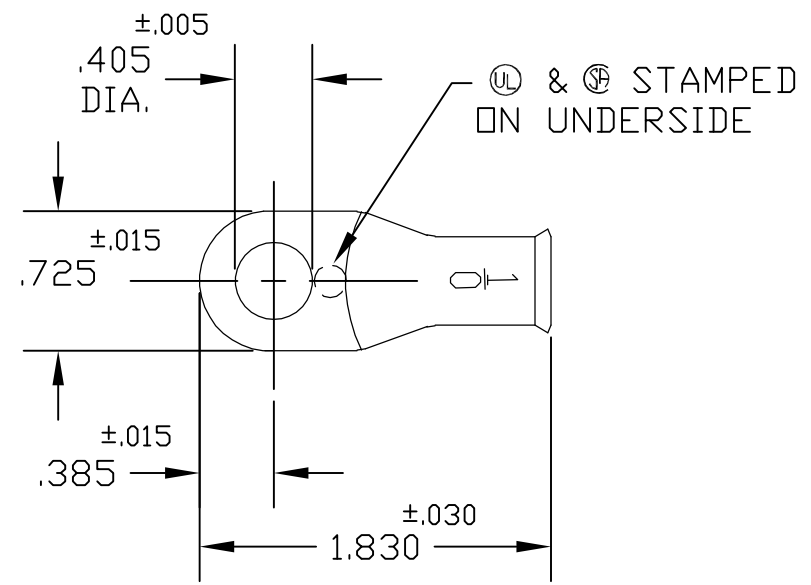


THIS DRAWING IS UNPUBLISHED. RELEASED FOR PUBLICATION
 © COPYRIGHT - BY TYCO ELECTRONICS CORPORATION. ALL RIGHTS RESERVED.

LOC	DIST	REVISIONS					
		P	LTR	DESCRIPTION	DATE	DWN	APVD
G	50		B1	REVISED PER ECR-06-010774	05MAY06	HMR	JR



ACTIVE	10381-01-D	SMALL PACK	TIN PLATE	8-1526704-2
ACTIVE	10381-01	STANDARD	TIN PLATE	1526704-2
ACTIVE	10381-00	STANDARD	PLAIN	1526704-1
STATUS	AET P/N	PACKAGING	FINISH	PART NUMBER

THIS DRAWING IS A CONTROLLED DOCUMENT.		DWN D.A.A 9/19/00	Tyco Electronics Corporation Harrisburg, PA 17105-3608	
DIMENSIONS: INCHES		CHK H.D.F 9/19/00		
		APVD H.D.F 9/19/00	NAME	
TOLERANCES UNLESS OTHERWISE SPECIFIED: 0 PLC ± - 1 PLC ± - 2 PLC ± - 3 PLC ± - 4 PLC ± - ANGLES ± -		PRODUCT SPEC -	1/0 STANDARD TERMINAL	
MATERIAL COPPER ASTM B-152		FINISH -	APPLICATION SPEC -	RESTRICTED TO -
		WEIGHT -	SIZE A3	CAGE CODE 00779
		CUSTOMER DRAWING	DRAWING NO C-1526704	REV B1
			SCALE 1:1	SHEET 1 OF 1